



## LEHLE SWITCH BTN



The LEHLE SWITCH BTN is a momentary foot switch. It is housed in an M12 threaded enclosure made of stainless steel. Thanks to the gold plated contact material its life span is at least one million switching cycles electrically and mechanically. The LEHLE SWITCH BTN withstands an actuation force of 1,000 N, which is a force equivalent to approximately 100 kg or 220 pounds. Despite this it also has a smooth switching feeling when pushed by hand.

If you choose the LEHLE SWITCH BTN as a replacement part it will fit straight into any hole of an existing foot switch that has a M12 or 15/32 UNS thread.



## LEHLE SWITCH BTN

### TECHNICAL SPECIFICATION

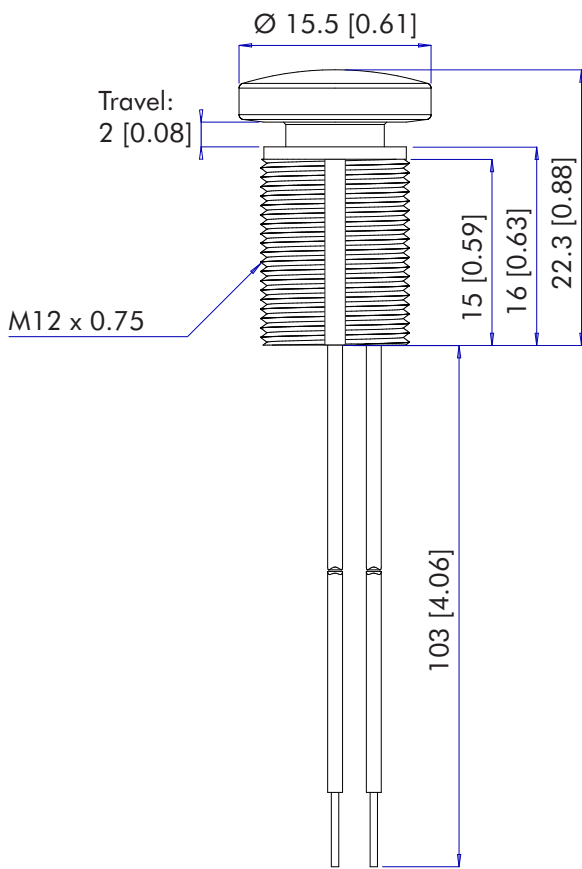
Switching type	momentary / non latching - normally off
Mechanical life span	1 million switching cycles
Electrical life span	1 million switching cycles
Max actuation force	1,000 N
Contact material	gold plated brass
Enclosure material	stainless steel
Trigger material	anodized aluminum
Connection	halogen-free isolated leads with tinned endings
Max switching current	50 mA
Max switching voltage	30 V
Bounce time	0.6 ms
Dielectric strength	1 kV / 60 sec contacts to threaded housing
Operating Temperature	-20 °C to +85 °C [-4 °F to 185 °F]
Weight with nuts	12.5 g [0.44 oz]
Compliance	RoHS II according to Directive 2011/65/EU

### ORDERING INFORMATION

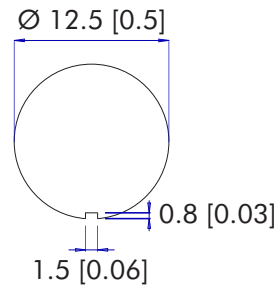
Order code (for a single unit)	3000
EAN13 Barcode (for a single unit)	4260142210408
Included in the package	1 pc M12 hexagon nut, 1 pc M12 knurled nut



# LEHLE SWITCH BTN



## MOUNTING HOLE



all measurements in mm [inch]

Specifications and products listed herein are subject to change without notice.